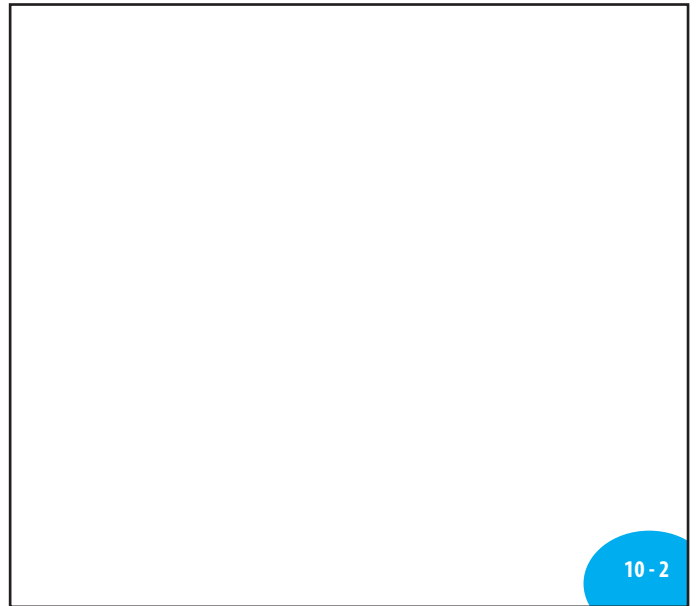
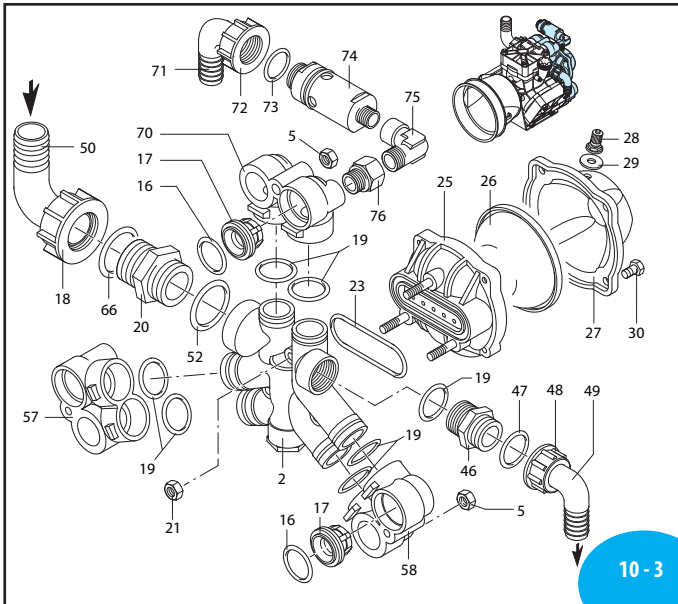


10 - 1

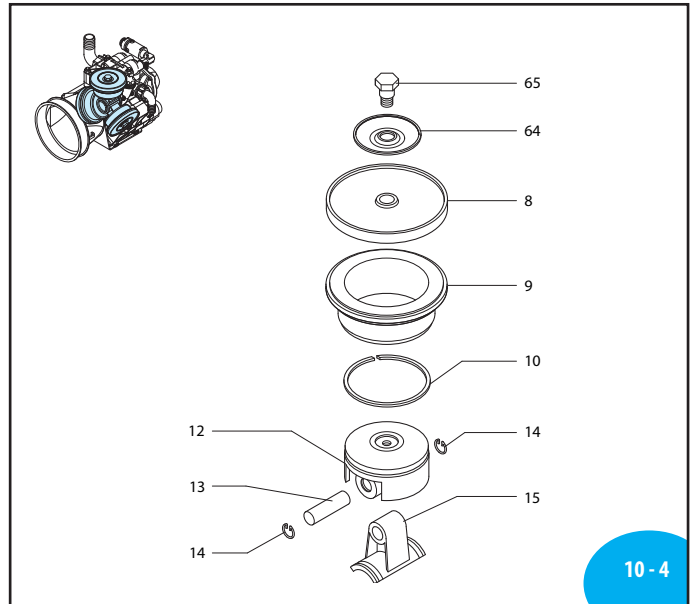


10 - 2

SL000058-EZ



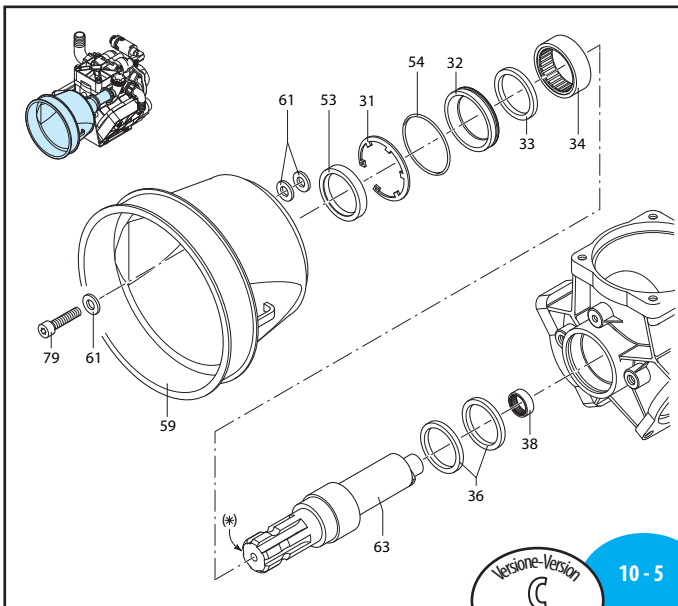
10 - 3



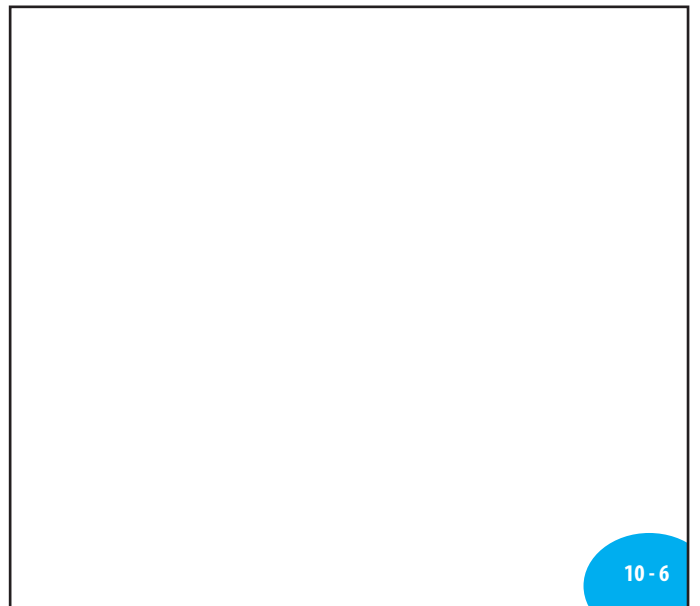
10 - 4

SL000059-EZ

UN9700012-LJ



10 - 5

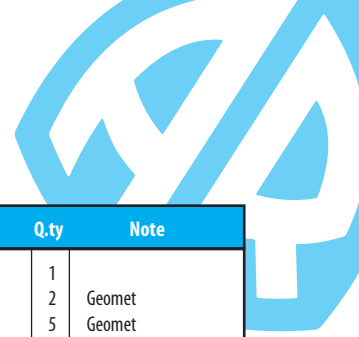


10 - 6




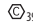

UN000727-DD


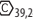


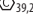


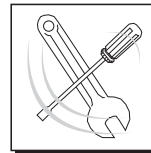
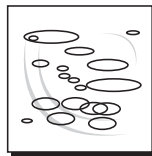
# AR 115 bp - 1000 giri-rpm



Bassa Pressione  
Low Pressure

Pos.	Cod.	Descrizione	Description	Q.ty	Note
1	580013	Corpo pompa	Pump body	1	
2	580150	Condotto mand.-asp.	Manifold line	1	
3	550101	Testa valvola DX	Right head	2	
4	550102	Testa valvola SX	Left head	2	
5	180152	Dado M 10	Nut	3	Geomet  39,24
	550080	Membrana	Diaphragm	3	Gomma
	550084	Membrana	Diaphragm	3	Viton
	550085	Membrana	Diaphragm	3	Desmopan
	550086	Membrana	Diaphragm	3	H.P.D.S.
9	580112	Camicia	Sleeve	3	
10	500260	Segmento	Piston ring	3	
12	580120	Pistone	Piston	3	
13	380300	Spinotto	Pin	3	
14	380080	Anellino spinotto	Pin ring	6	
15	580140	Biella	Connecting rod	3	
16	320030	OR ø 31,5x4,5	O-Ring	6	
17	589050	Valvola completa	Complete valve	6	
18	540541	Girello 1" 3/4 G spec.	Ring nut	7	
19	390291	OR ø 28,25x2,62	O-Ring	1	▶
20	540530	Niples 1"1/4-1"3/4 G (M)	Threaded adapter	1	
21	390271	Dado M 8	Nut	3	Geomet  19,62
23	580050	Guarnizione	Gasket	1	☒
25	580180	Semisfera inferiore	Lower air chamber	1	
	550190	Semicamera aria	Semi air chamber	1	Gomma
	550191	Semicamera aria	Semi air chamber	1	Saturflon
	550192	Semicamera aria	Semi air chamber	1	Viton
27	550233	Semisfera superiore	Upper air chamber	1	Nera / Black
28	550300	Valvola di gonfiaggio	Air-valve	1	
29	650542	Guarnizione	Gasket	1	
30	550680	Vite TE M 8x20	Bolt	4	 19,62
31	200391	Anello seeger	Circlip	1	
32	550470	Bussola anello tenuta	Gasket retainer	1	
33	550070	Rondella tenuta	Spacer ring	1	
34	550060	Boccola a rullini	Roller bushing	1	
36	580470	Anello biella	Con rod ring	2	
37	551040	Vite TE M 10x55	Bolt	12	Geomet  39,24
38	550310	Boccola a rullini	Roller bushing	1	
46	550340	Niples 1"G(M)-1"G(M)	Threaded adapter	1	
47	550350	OR ø 23,81x2,62	O-Ring	1	
48	550242	Girello 1" G	Ring nut	1	
49	550370	Curva ø 25	Elbow	1	
50	540550	Curva ø 40	Elbow	1	
52	250310	OR ø 36,14x2,62	O-Ring	1	
53	550491	Anello tenuta	Seal ring	1	☒
54	650920	OR ø 53,65x2,62	O-Ring	1	▶
55	880530	Tappo 3/8" G	Plug	1	 19,62
57	580071	Attacco asp. mand. DX	Right manifold coupling	1	
58	580072	Attacco asp. mand. SX	Left manifold coupling	1	

Pos.	Cod.	Descrizione	Description	Q.ty	Note
59	1500350	Protezione cardano	Cardan protection	1	
60	550332	Rosetta ø 6,5	Washer	2	Geomet
61	320621	Rosetta ø 10,5	Washer	5	Geomet
62	740290	OR ø 14x1,78	O-Ring	1	
63	550176	Albero eccentrico "C"	"C" shaft	1	(AP)
64	580370	Piattello	Plate	3	
65	580360	Perno membrana	Diaphragm pin	3	 19,62
66	250310	OR ø 36,14x2,62	O-Ring	1	
67	580082	Piede corpo pompa	Base	1	
68	540301	Vite TCEI M 10x30	Bolt	1	Geomet  39,24
70	580400	Attacco DX. forato	Right man.coup.+outlet	1	
71	550460	Curva ø 18	Elbow	1	
72	550450	Girello 3/4" G	Ring nut	1	
73	880831	OR ø 15,54x2,62	O-Ring	1	Viton
74	1609000	Valvola di sicurezza	Safety valve	1	■
75	881560	Gomito 90° 1/2"G (M)-(F)	Elbow	1	
76	580421	Prolunga (M)-(F) 1/2"G	Extension	1	
78	850851	Vite TCEI M 6x30	Bolt	2	Geomet  9,81
79	620472	Vite TCEI M 10x20	Bolt	3	Geomet  39,24
81	390180	OR ø 18,72x2,62	O-Ring	1	▶
82	1040310	Serbatoio olio	Oil tank	1	
83	650920	OR ø 53,65x2,62	O-Ring	1	
84	1040321	Tappo serbatoio verde	Green oil tank cap	1	



<b>KIT 2367</b> Membrane gomma Buna diaphragms	
<b>KIT 2368</b> Membrane HPDS HPDS diaphragms	
<b>KIT 2369</b> Membrane Desmopan Desmopan diaphragms	
Pos.	Q.ty
8	3

<b>KIT 2415</b> Valvole Valves	
Pos.	Q.ty
16	6
17	6

<b>KIT 2026</b> OR O-Rings			
Pos.	Q.ty	Pos.	Q.ty
16	6	83	1
19	7		
29	1		
47	1		
52	1		
54	1		
62	1		
66	1		
73	1		
81	1		

<b>KIT 2025</b> Pronto intervento Maintenance repair					
Pos.	Q.ty	Pos.	Q.ty	Pos.	Q.ty
8	3	47	1	83	1
16	6	48	1	84	1
17	6	49	1		
18	1	50	1		
19	7	53	1		
20	1	54	1		
23	1	64	1		
26	1	65	1		
29	1	81	1		
46	1	82	1		

<b>Olio utilizzato</b> Used oil	
Tipo - Type	Kg
Sae 30w	0,8