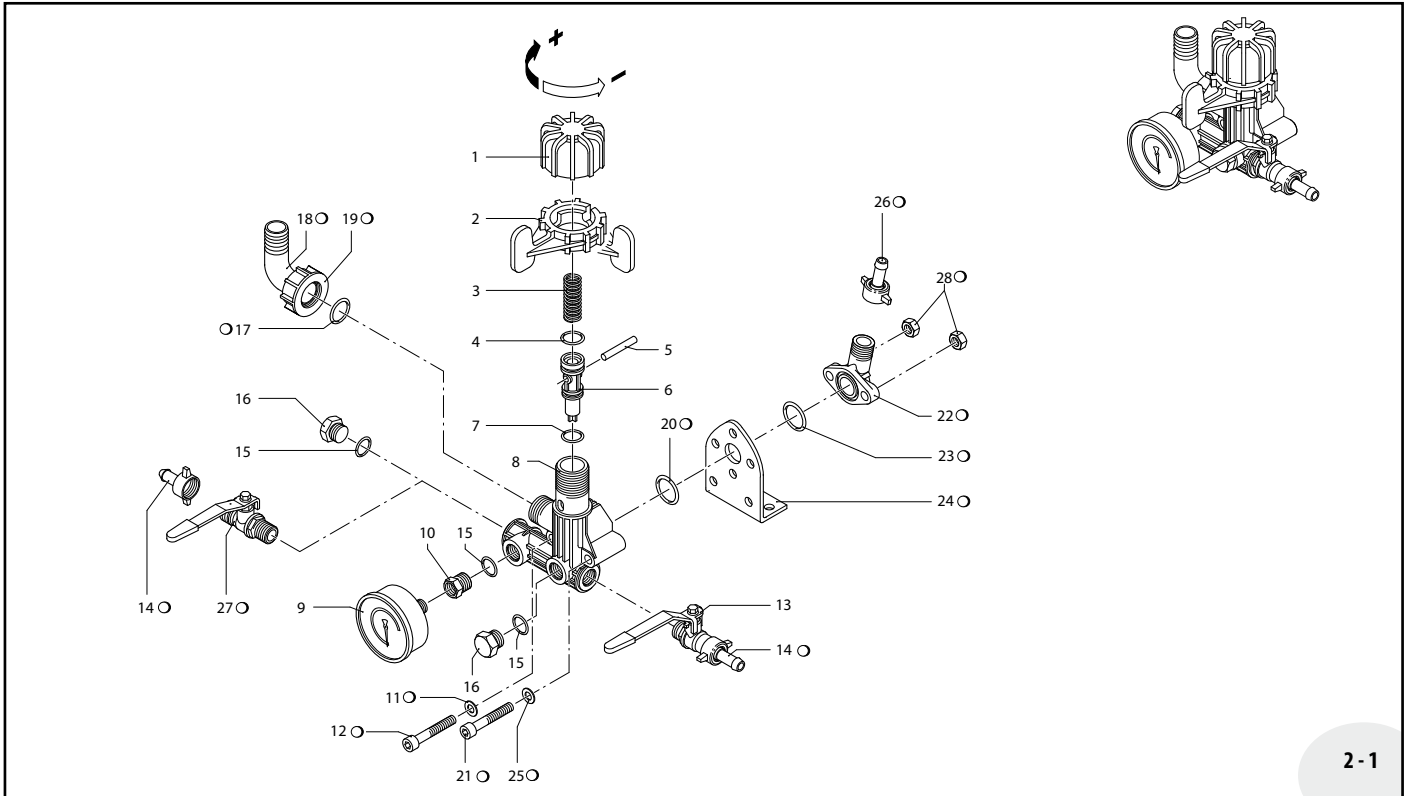


1888640



2-1

SL000302-BU

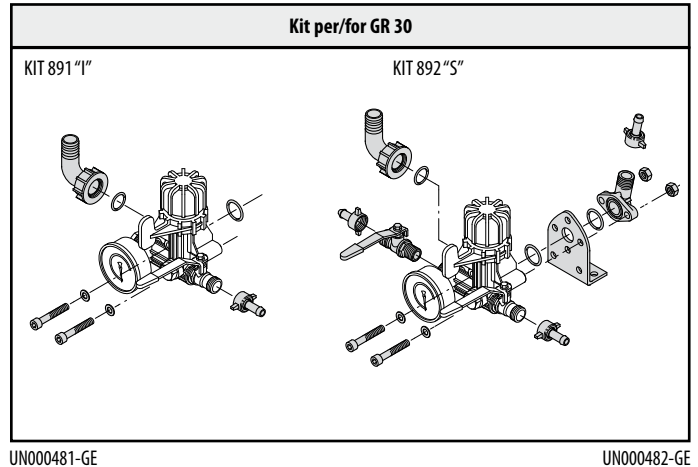
| Pos. | Cod. | Descrizione | Description | Q.ty | Note |
|------|---------|-------------------------|------------------------|------|------------------------------|
| 1 | 1880220 | Manopola | Adjustment knob | 1 | |
| 2 | 1880210 | Ghiera sgancio press. | Ring nut | 1 | |
| 3 | 1880331 | Molla | Spring | 1 | ☒ |
| 4 | 480441 | OR ø 17,13x2,62 | O-Ring | 1 | Viton |
| 5 | 1880240 | Spinotto | Pin | 1 | ☒ |
| 6 | 1889201 | Otturatore | Jet | 1 | |
| 7 | 1880260 | OR ø 15,08x2,62 | O-Ring | 1 | |
| 8 | 1880200 | Corpo valvola | Valve body | 1 | |
| 9 | 1880340 | Manometro | Pressure gauge | 1 | ☐ C ₁₀ |
| 10 | 1880250 | Riduzione manometro | Pipe reducer | 1 | ☐ C ₁₀ |
| 11 | 550331 | Rosetta øi 6,5 | Washer | 2 | |
| 12 | 801080 | Vite TCEI M 6x50 | Bolt | 2 | C ₁₀ |
| 13 | 1880491 | Rub. 3/8"-1/2" (M) DX | Right valve | 1 | Leva rossa ☐ C ₁₀ |
| 14 | 110131 | Racc. 1/2"G+tub. ø10 | Fitting 1/2"G+hose ø10 | 3 | |
| 15 | 740290 | OR ø 14x1,78 | O-Ring | 3 | |
| 16 | 2841240 | Tappo | Plug | 2 | C ₁₀ |
| 17 | 880830 | OR ø 15,54x2,62 | O-Ring | 1 | |
| 18 | 550460 | Curva ø18 | Elbow | 1 | |
| 19 | 550450 | Girello 3/4"G | Ring nut | 1 | |
| 20 | 1140450 | OR ø 20,24x2,62 | O-Ring | 1 | |
| 21 | 1880310 | Vite TCEI M 8x65 | Bolt | 2 | |
| 22 | 450145 | Flangia raccordo | Flange | 1 | |
| 23 | 550350 | OR ø 23,81x2,62 | O-Ring | 1 | |
| 24 | 320406 | Staffa GS | Bracket | 1 | |
| 25 | 390311 | Rosetta 8,5x17x1,5 | Washer | 2 | |
| 26 | 110130 | Racc. 1/2"G+tub. ø13 | Fitting 1/2"G+hose ø13 | 1 | |
| 27 | 1880492 | Rub. 3/8"-1/2" G (M) SX | Left valve | 1 | Leva rossa ☐ C ₁₀ |
| 28 | 390270 | Dado M8 | Nut | 2 | |

☐ Non compreso nel GR 30 - No part of GR 30

(2062)

(CI 0446 MG 14.01.11)

0435MG



UN000481-GE

UN000482-GE

Comando incorporato e separato - Build-in control unit and remote control

| KIT 891 "I" Comando incorporato Build in control | | | | KIT 892 "S" Comando separato Remote control | | | |
|--|------|------|------|---|------|------|------|
| Pos. | Q.ty | Pos. | Q.ty | Pos. | Q.ty | Pos. | Q.ty |
| 11 | 2 | | | 14 | 3 | 26 | 1 |
| 12 | 2 | | | 17 | 1 | 27 | 1 |
| 14 | 1 | | | 18 | 1 | 28 | 2 |
| 17 | 1 | | | 19 | 1 | | |
| 18 | 1 | | | 20 | 1 | | |
| 19 | 1 | | | 21 | 2 | | |
| 20 | 1 | | | 22 | 1 | | |
| | | | | 23 | 1 | | |
| | | | | 24 | 1 | | |
| | | | | 25 | 2 | | |

Per / for AR 252

Per / for AR 252