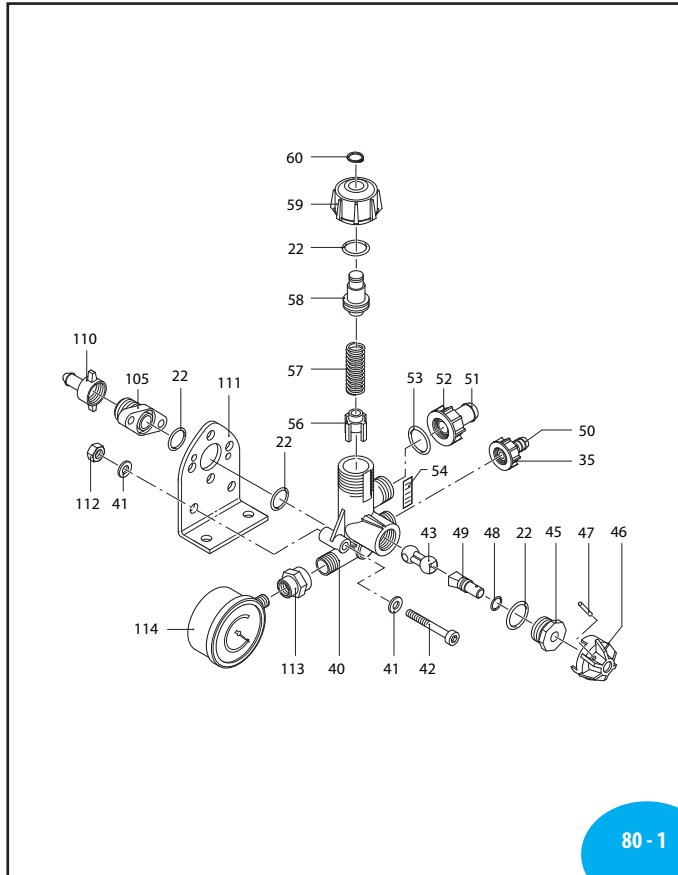


ANNOVIREVERBERI

VR 20 S



Pos.	Cod.	Descrizione	Description	Q.ty	Note
22	480440	OR ø 17,13x2,62	O-Ring	4	▶
35	800520	Girello 3/8" G	Ring nut	1	
40	800400	Corpo valvola reg.	Valve body	1	
41	550331	Rosetta øi 6,5	Washer	4	
42	801080	Vite TCEI M 6x50	Bolt	2	⊗ _{9,81}
43	800430	Valvola	Valve	1	
45	800500	Ghiera	Ring nut	1	
46	800510	Manopola apertura	Knob	1	
47	390330	Spina elastica	Pin	1	
48	800560	OR ø 8,73x1,78	O-Ring	1	▶
49	800490	Perno ruotismo	Pivot	1	
50	800531	Tubetto ø 11	Hose tail	1	
51	800670	Tubetto ø 15	Hose tail	1	
52	800680	Girello M 22x1,5	Ring nut	1	
53	740290	OR ø 11,11x1,78	O-Ring	1	▶
54	800480	Adesivo scala atm	Atm scale adhesive	1	
56	800440	Guida inferiore molla	Lower spring guide	1	
57	800450	Molla	Spring	1	
58	800460	Guida superiore molla	Upper spring guide	1	
59	800470	Manopola reg. valvola	Adjustment knob	1	
60	480550	Anello seeger	Circlip	1	
105	800692	Flangia mand. 1/2" G	Flange	1	
110	110130	Racc. 1/2" G+tub. ø13	Fitting 1/2" G+hose ø13	1	
111	320407	Staffa GS	Bracket	1	
112	390440	Dado M 6	Nut	2	
113	801060	Manic. 3/8"-1/4" G(F)-(F)	Adapter	1	⊗
114	801050	Manometro ø 63	Pressure gauge	1	0-30 bar ⊗